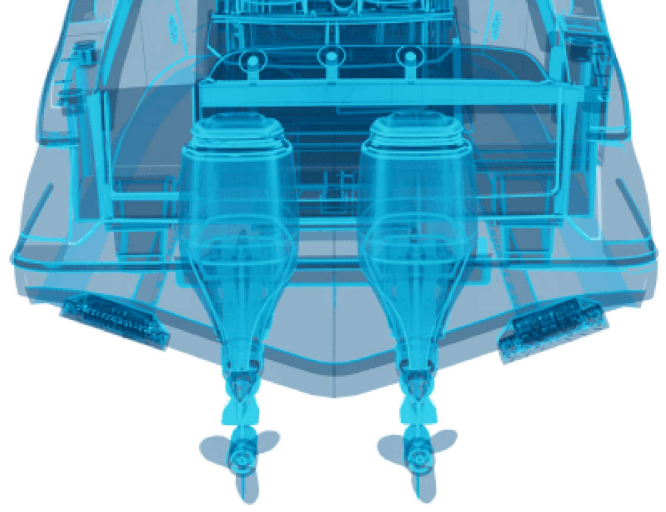


SEAKEEPER RIDE SEA TRIAL REPORT



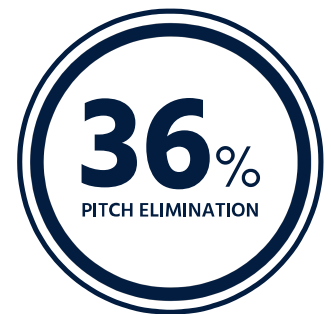
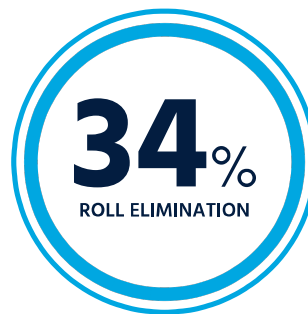
Vessel Characteristics

Boat Make	Axopar
Boat Model	29 Cross Cabin
Boat Year	2025
System	Seakeeper Ride 525
Length Overall	30 ft. 7 in.
Beam Overall	9 ft. 10 in.
Engine Configuration	1x Mercury 400 HP
Displacement	6,393 lbs.

Test Conditions

Date	5/28/2025
Location	Inga, Finland
Average Speed (auto)	32 mph
Average Speed (manual)	32 mph
Seas	Following Sea
Sea Conditions	2 ft at 3 sec

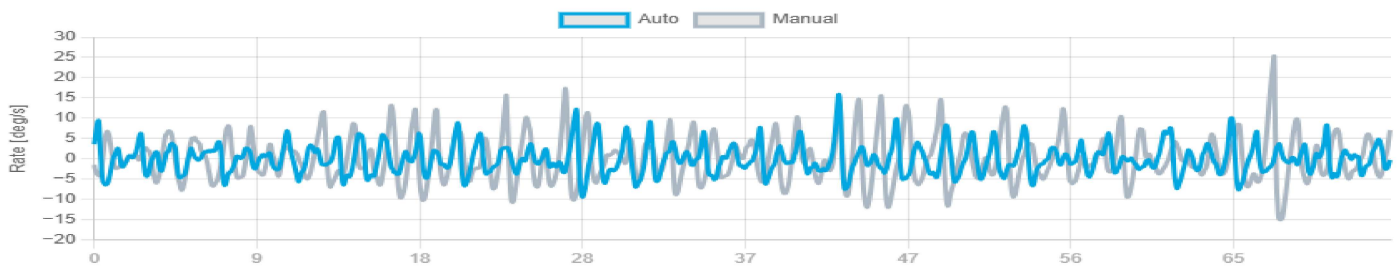
Performance Results



Roll Rate Comparison



Pitch Rate Comparison



Performance results are measured with the system on and off as a reduction of standard deviation in pitch and roll rates at all frequencies at a constant heading and speed.

