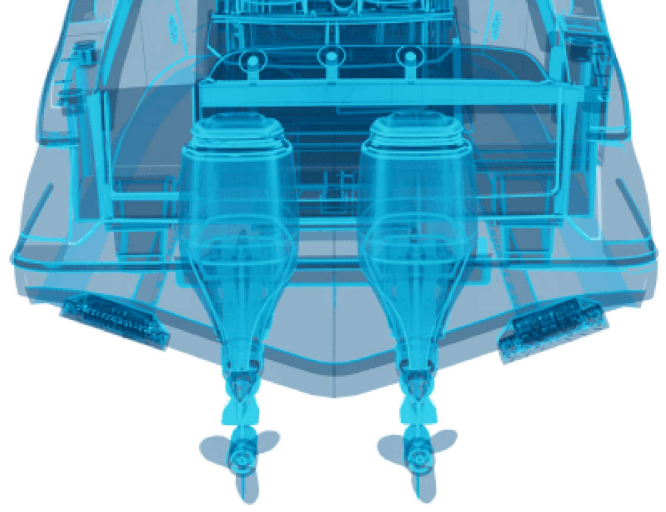


# SEAKEEPER RIDE SEA TRIAL REPORT



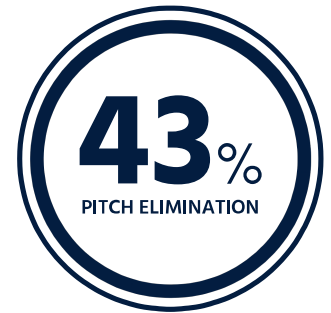
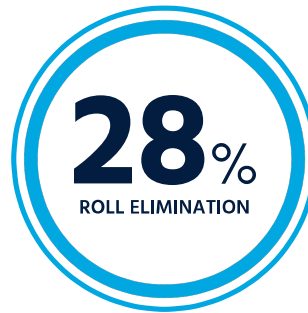
## Vessel Characteristics

<b>Boat Make</b>	Buster
<b>Boat Model</b>	Magnum Cabin
<b>Boat Year</b>	2024
<b>System</b>	Seakeeper Ride 450
<b>Length Overall</b>	24 ft. 10 in.
<b>Beam Overall</b>	8 ft. 4 in.
<b>Engine Configuration</b>	1x Yamaha 300 HP
<b>Displacement</b>	4,422 lbs.

## Test Conditions

<b>Date</b>	7/9/2024
<b>Location</b>	Nagu, Finland
<b>Average Speed (auto)</b>	29 mph
<b>Average Speed (manual)</b>	29 mph
<b>Seas</b>	Following
<b>Sea Conditions</b>	2 ft. at 3 seconds

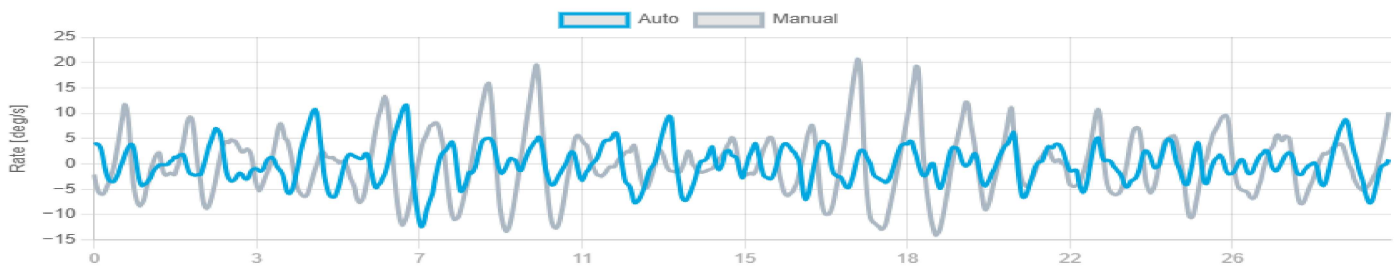
## Performance Results



### Roll Rate Comparison



### Pitch Rate Comparison



Performance results are measured with the system on and off as a reduction of standard deviation in pitch and roll rates at all frequencies at a constant heading and speed.

