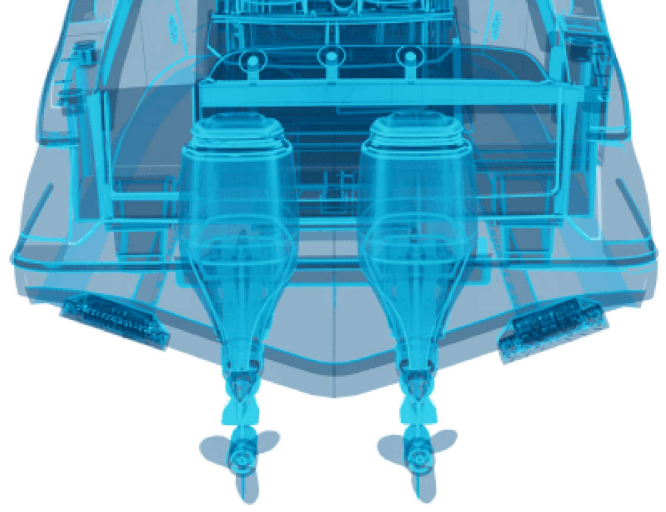


SEAKEEPER RIDE SEA TRIAL REPORT



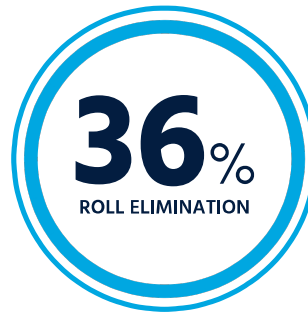
Vessel Characteristics

Boat Make	Finnmaster Boats
Boat Model	P8
Boat Year	2025
System	Seakeeper Ride 450
Length Overall	27 ft. 7 in.
Beam Overall	9 ft. 10 in.
Engine Configuration	1x Mercury 400 HP
Displacement	6,614 lbs.

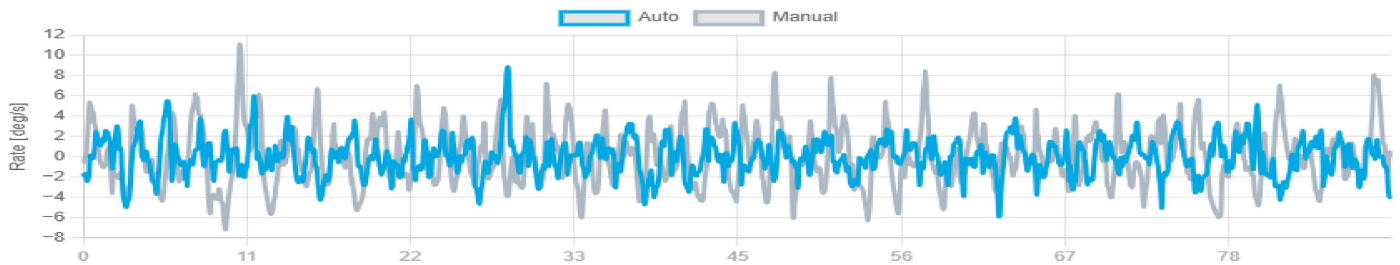
Test Conditions

Date	5/28/2025
Location	Kokkola, Finland
Average Speed (auto)	30 mph
Average Speed (manual)	30 mph
Seas	Stern Quartering
Sea Conditions	2 ft. at 2 sec

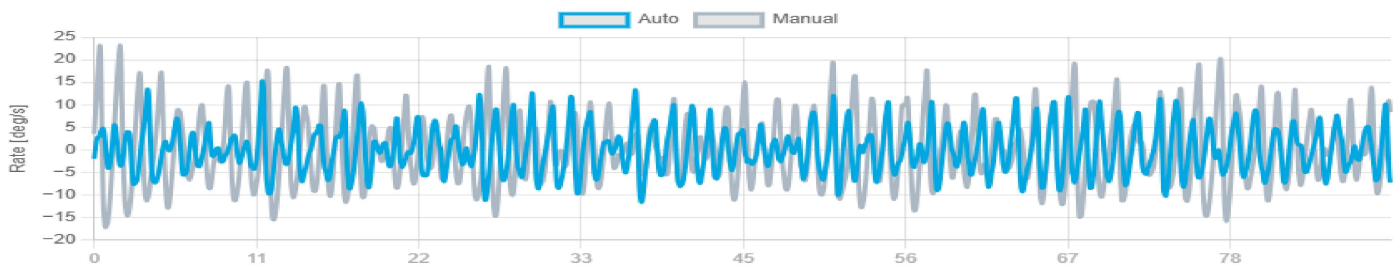
Performance Results



Roll Rate Comparison



Pitch Rate Comparison



Performance results are measured with the system on and off as a reduction of standard deviation in pitch and roll rates at all frequencies at a constant heading and speed.

