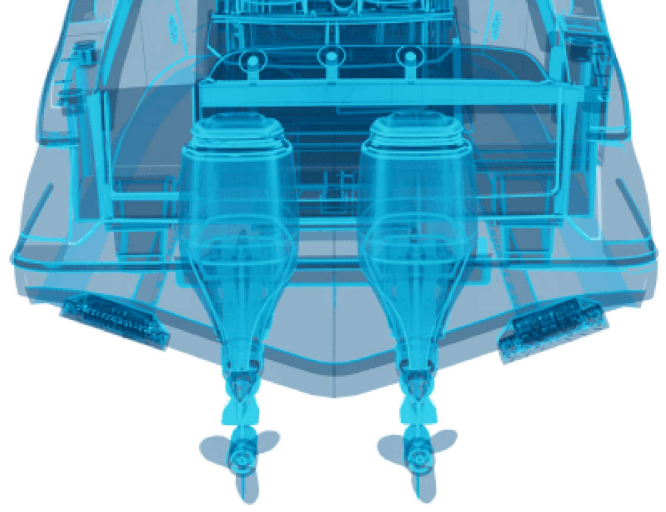


SEAKEEPER RIDE SEA TRIAL REPORT



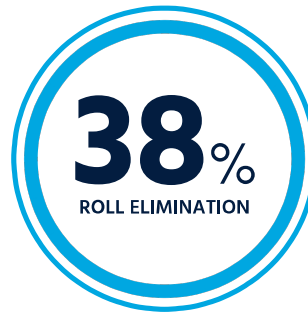
Vessel Characteristics

Boat Make	Goldfish
Boat Model	X12
Boat Year	2025
System	Seakeeper Ride 750 Quad
Length Overall	40 ft. 10 in.
Beam Overall	11 ft. 10 in.
Engine Configuration	3x Mercury 400 HP
Displacement	8,378 lbs.

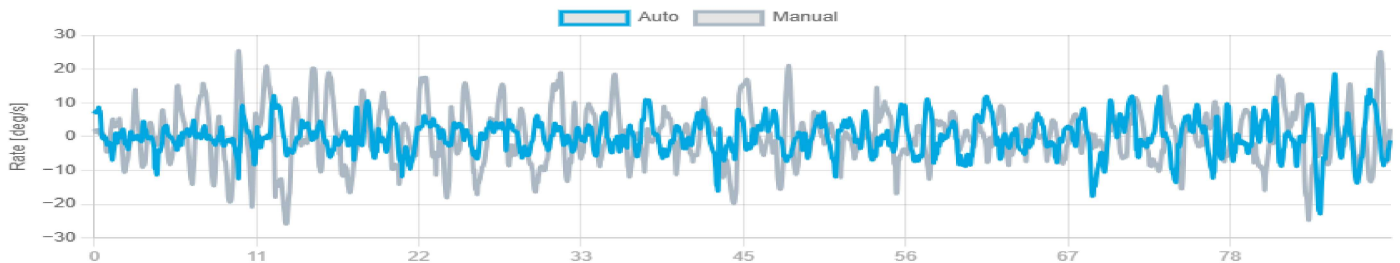
Test Conditions

Date	10/18/2025
Location	Oslo Fjord, Norway
Average Speed (auto)	51 mph
Average Speed (manual)	51 mph
Seas	Stern Quartering
Sea Conditions	4 ft at 2.5 sec

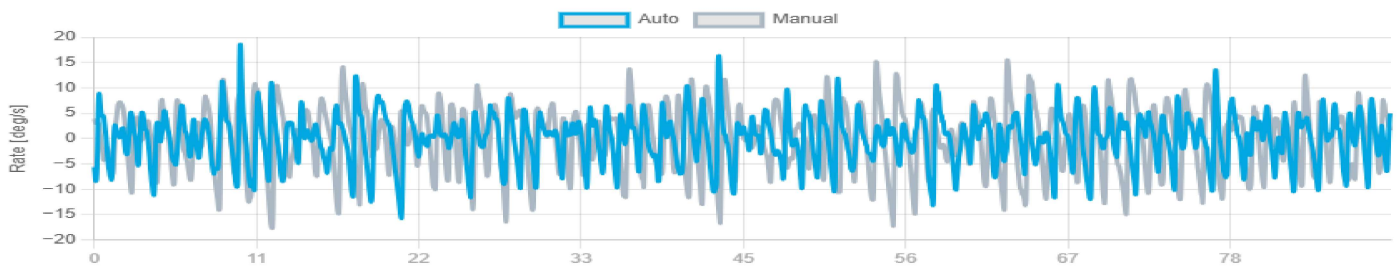
Performance Results



Roll Rate Comparison



Pitch Rate Comparison



Performance results are measured with the system on and off as a reduction of standard deviation in pitch and roll rates at all frequencies at a constant heading and speed.

