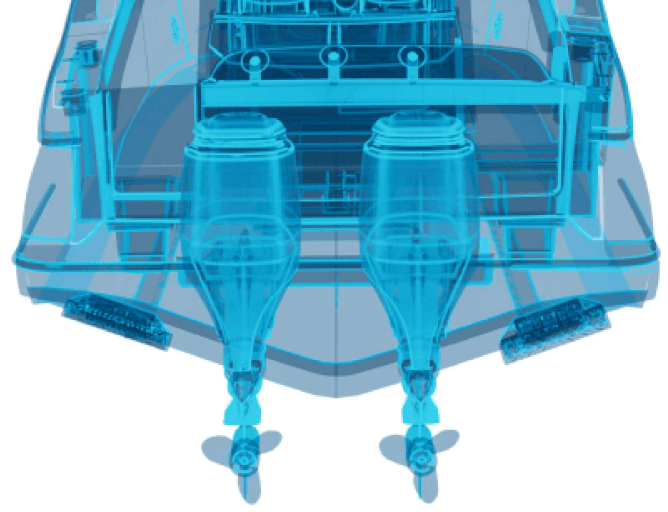


# SEAKEEPER RIDE SEA TRIAL REPORT



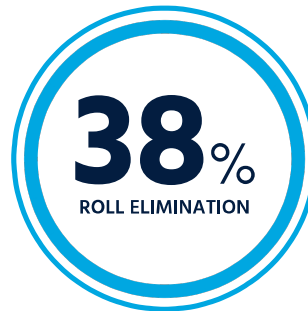
## Vessel Characteristics

<b>Boat Make</b>	HCY Yachts
<b>Boat Model</b>	53 Suenos
<b>Boat Year</b>	2021
<b>System</b>	Seakeeper Ride 1125
<b>Length Overall</b>	52 ft. 11 in.
<b>Beam Overall</b>	13 ft. 0 in.
<b>Engine Configuration</b>	4x Other 627 HP
<b>Displacement</b>	33,000 lbs.

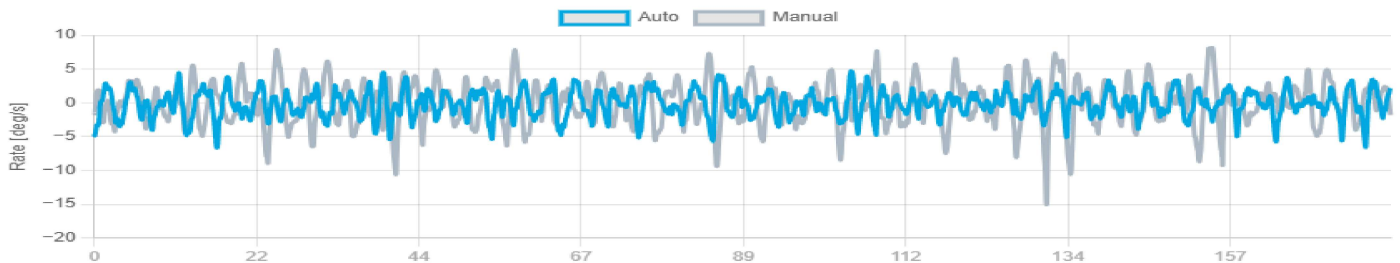
## Test Conditions

<b>Date</b>	4/2/2025
<b>Location</b>	Fripp Island
<b>Average Speed (auto)</b>	33 mph
<b>Average Speed (manual)</b>	33 mph
<b>Seas</b>	Beam Seas
<b>Sea Conditions</b>	2 ft. at 8 seconds

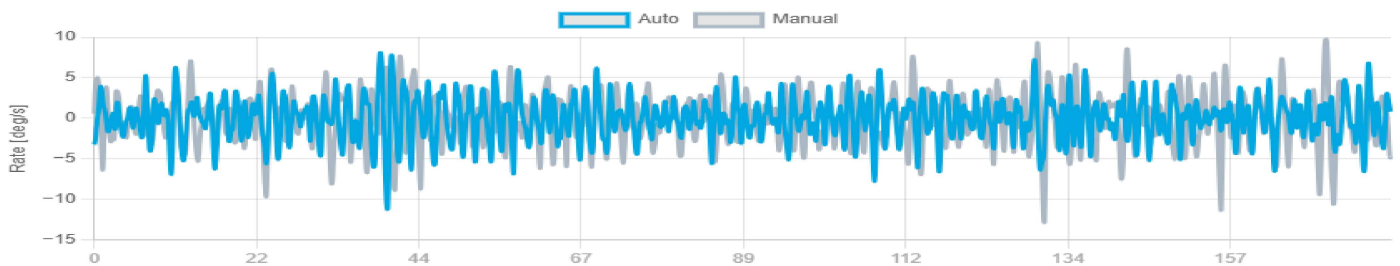
## Performance Results



### Roll Rate Comparison



### Pitch Rate Comparison



Performance results are measured with the system on and off as a reduction of standard deviation in pitch and roll rates at all frequencies at a constant heading and speed.



