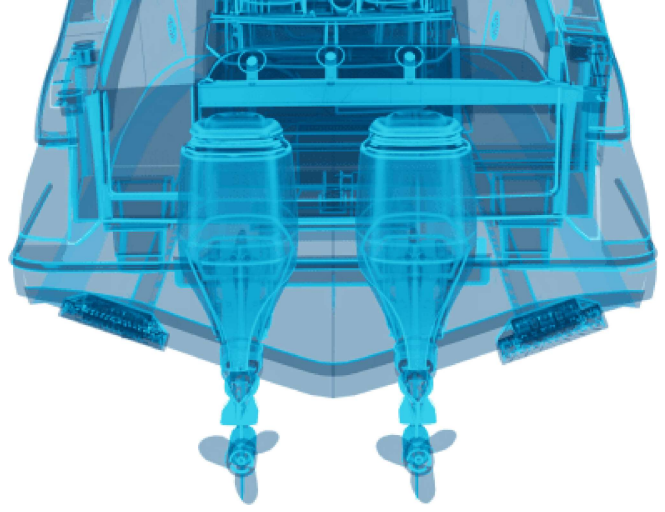


SEAKEEPER RIDE SEA TRIAL REPORT



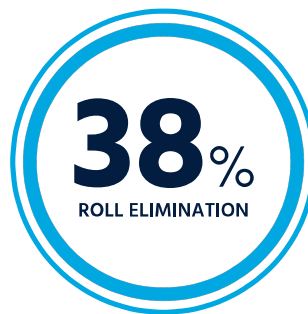
Vessel Characteristics

Boat Make	XO Boats
Boat Model	DFNDR 9
Boat Year	2025
System	Seakeeper Ride 525
Length Overall	28 ft. 10 in.
Beam Overall	8 ft. 6 in.
Engine Configuration	2x Mercury 225 HP
Displacement	5,975 lbs.

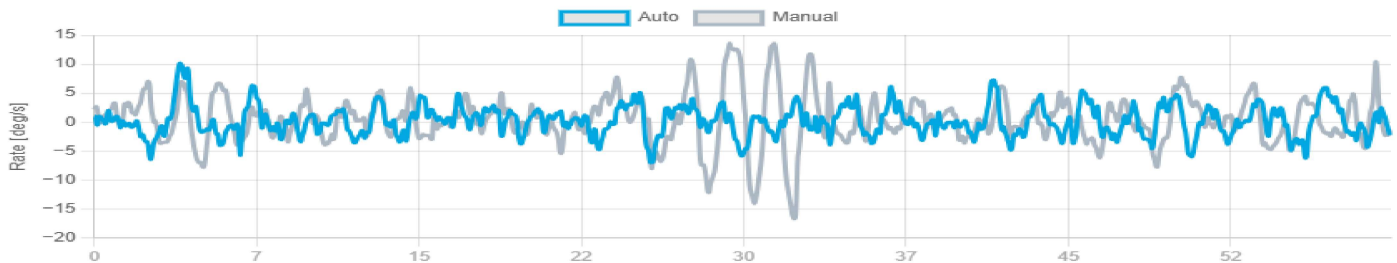
Test Conditions

Date	9/3/2025
Location	Ventimiglia, Italy
Average Speed (auto)	29 mph
Average Speed (manual)	29 mph
Seas	Stern Quartering
Sea Conditions	3 ft at 3 sec

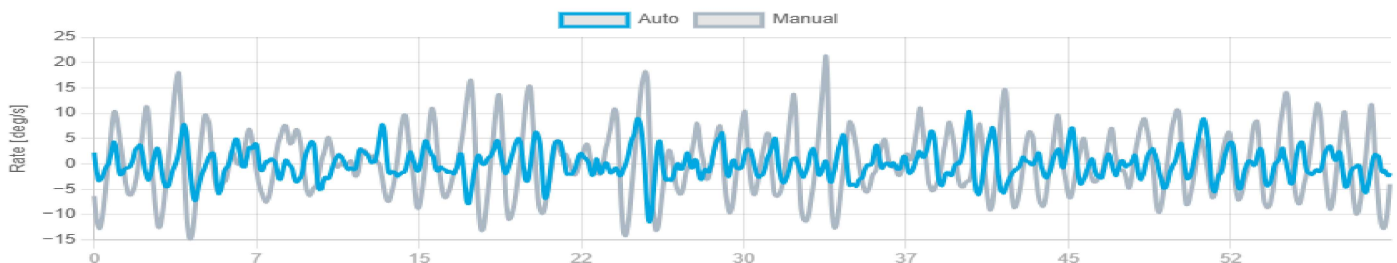
Performance Results



Roll Rate Comparison



Pitch Rate Comparison



Performance results are measured with the system on and off as a reduction of standard deviation in pitch and roll rates at all frequencies at a constant heading and speed.

